



Condair **GS** Series II

SPARE PARTS LIST LISTE DES PIÈCES DE RECHANGE



Proprietary Notice

This document and the information disclosed herein are proprietary data of Condair Ltd. Neither this document nor the information contained herein shall be reproduced, used, or disclosed to others without the written authorization of Condair Ltd., except to the extent required for installation or maintenance of recipient's equipment.

Liability Notice

Condair Ltd. does not accept any liability for installations of humidity equipment installed by unqualified personnel or the use of parts/components/equipment that are not authorized or approved by Condair Ltd.

Copyright Notice

© Condair Ltd. All rights reserved.

The contents of this document are subject to change without notice.

IMPORTANT! This document to be left with the equipment.

SPARE PARTS LIST / LISTE DES PIÈCES DE RECHANGE

#		Condair Model	CS/NX	MT	GS 50	GS 100	GS 150	GS 200	GS 300	GS 450	GS 600	Part #
105	Integrated Controller w/software Platine de Commande avec Touch Panel		•	•	1	1	1	1	1	1	1	2584708
110	Driver Board Carte Pilote		•	•	1	1	1	1	1	2	2	2584709
115	Driver Board Relay (x2), Plug-in Relais de la Carte Pilote (2 pcs.), Enfichable		•	•	1	1	1	1	1	2	2	2588535
120	Remote Fault Board Carte de Défaut à Distance		•	•	1	1	1	1	1	1	1	2599655
125	24V Power Switch 24V Interrupteur d'Appareil		•	•	1	1	1	1	1	1	1	2584879
130	Socket Relay Mount Support de Relais		•	•	1	1	1	1	1	1	1	2598441
135	Relay DPDT Relais DPDT		•	•	1	1	1	1	1	1	1	2583757
140	Transformer, 120/240Vpri, 24Vsec, 150VA Transformateur, 120/240Vpri, 24Vsec, 150VA		•	•	1	1	1	1	1	1	1	2593555
145	Switch, Tank Hi Limit 106C Interrupteur, Limite Supérieure Réservoir		•	•	1	1	1	1	1	2	2	2586125
150	Switch, Stack Hi-Limit, Standard GS Thermorupteur, Gaz Échappement GS MT			•	1	1	1	1	1	1	1	2584498
	Switch, Stack Hi-Limit, CS/NX Thermorupteur, Gaz Échappement, CS/NX			•	1	1	1	1	1	1	1	2584499
155	Thermal Sensor, Tank Capteur de Chaleur, Réservoir		•	•	1	1	1	1	1	1	1	2584507
160	Ignition Module, Compact Module d'Allumage, Boîtier Compact		•	•	1	1	-	2	-	-	-	2593558
	Ignition Module, Full-size Module d'Allumage, Boîtier Normal		•	•	-	-	1	-	2	3	4	2593559
165	Rectifier 600V 25A Redresseur 600V 25A		•	•	1	1	-	2	-	-	-	2585377
170	Switch, Air Proving, 1.0"wc Interrupteur de Vérification d'Air, 1"wc		•	•	2	2	-	1	-	-	-	2593549
	Switch, Air Proving, 3.0"wc Interrupteur de Vérification d'Air, 3.0"wc		•	•	-	-	2	1	2	2	2	2593550
305	Igniter, Spark Electrode Allumeur à Étincelle		•	•	1	1	1	2	2	3	4	2584513
310	Cable, Spark Igniter Câble, Allumeur		•	•	1	1	1	2	2	3	4	2593544
320	Gasket, Burner Joint, Brûleur		•	•	1	1	1	2	2	3	4	2584512
325	Burner/Combustion Flange Bolt Set Combustion Chambre Jeu de Vis		•	•	1	1	1	2	2	3	4	2599660
330	Burner Assembly 50 lb/h (23 kg/h) Assemblage du Brûleur 50 lb/h (23 kg/h)		•	•	1	-	-	-	-	-	-	2584509
	Burner Assembly 100 lb/h (45 kg/h) Assemblage du Brûleur 100 lb/h (45 kg/h)		•	•	-	1	-	2	-	-	-	2584510
	Burner Assembly 150 lb/h (65 kg/h) Assemblage du Brûleur 150 lb/h (65 kg/h)		•	•	-	-	1	-	2	3	4	2584511
335	Blower Replacement 50 lb/h (23 kg/h) Groupe Soufflante 50 lb/h (23 kg/h)		•	•	1	-	-	-	-	-	-	2586135
	Blower Replacement 100 lb/h (45 kg/h) Groupe Soufflante 100 lb/h (45 kg/h)		•	•	-	1	-	2	-	-	-	2584517
	Blower Replacement 150 lb/h (65 kg/h) Groupe Soufflante 150 lb/h (65 kg/h)		•	•	-	-	1	-	2	3	4	2586136

N/S : not shown / non montrée

• : included in this model / inclus dans ce modèle

#		Condair Model	CS	INX	MT	GS 50	GS 100	GS 150	GS 200	GS 300	GS 450	GS 600	Part #
340	Burner Feed Tube, Compact Ligne d'Alimentation du Brûleur, Boîtier Compact		•	•		1	1	-	-	-	-	-	2599646
	Burner Feed Tube, Full-size Ligne d'Alimentation du Brûleur, Boîtier Normal		•	•		-	-	1	2	2	3	4	2593547
345	Gas Supply Manifold Distributeur de Gaz		•	•		-	-	-	1	1	1	1	2599644
350	Flex Gas Line, 16" (406mm) Compact Conduite de Gaz Flexible, 16" (406mm) Boîtier Compact		•	•		1	1	-	-	-	-	-	2584500
	Flex Gas Line, 36" (914mm), Full-size (Burner 1 and 2) Conduite de Gaz Flexible, 36" (914mm), (Brûleur 1 et 2), Boîtier Normal		•	•		-	-	1	2	2	2	2	2584501
	Flex Gas Line, 60" (1524mm), (Burner 3 and 4), Full-size Conduite de Gaz Flexible, 60" (1524mm), (Brûleur 3 et 4), Boîtier Normal		•	•		-	-	-	-	-	1	2	2584502
355	Gasket Set, Primary Heat Exchanger Jeu de Joint, Échangeur de Chaleur Primaire		•	•		1	1	1	2	2	3	4	2599645
360	Exhaust Flange Nut, M80x2 Écrou, Bride d'Échappement, M80x2		•	•		1	1	1	2	2	3	4	2599659
365	Heat Exchanger, 50lb/h (23kg/h) Échangeur de Chaleur Primaire 50lb/h (23kg/h)		•	•		1	-	-	-	-	-	-	2599626
	Heat Exchanger, 100lb/h (45kg/h) Échangeur de Chaleur Primaire, 100lb/h (45kg/h)		•	•		-	1	-	-	-	-	-	2599627
	Heat Exchanger, 150lb/h (65kg/h), Single Échangeur de Chaleur Primaire, 150lb/h (65kg/h), Simple		•	•		-	-	1	-	-	-	-	2599628
	Heat Exchanger, 150lb/h (65kg/h), multi Échangeur de Chaleur Primaire, 150lb/h (65kg/h), multi		•	•		-	-	-	2	2	3	4	2599629
370	Exhaust Elbow, Single-Burner Collecteur d'Échappement, Brûleur Simple		•	•		1	1	1	-	-	-	-	2599657
	Exhaust Elbow, Multi-Burner Collecteur d'Échappement, Multi-Brûleur		•	•		-	-	-	2	2	3	4	2599658
375	Exhaust Manifold, Double, CS Collecteur d'Échappement, Double, CS		•			-	-	-	1	1	-	-	2599683
	Exhaust Manifold, Double, ST Collecteur d'Échappement, Double, MT			•		-	-	-	1	1	-	-	2599684
	Exhaust Manifold, Triple, CS Collecteur d'Échappement, Triple, CS		•			-	-	-	-	-	1	-	2599685
	Exhaust Manifold, Triple, ST Collecteur d'Échappement, Triple, MT			•		-	-	-	-	-	1	-	2599686
	Exhaust Manifold, Quad, CS Collecteur d'Échappement, Quad, CS		•			-	-	-	-	-	-	1	2599687
	Exhaust Manifold, Quad, ST Collecteur d'Échappement, Quad, MT			•		-	-	-	-	-	-	1	2599688
380	Economizer, Compact Économiseur, Boîtier Compact		•			1	1	-	-	-	-	-	2599630
	Economizer, Single Économiseur, Simple		•			-	-	1	-	-	-	-	2599631
	Economizer, Double Économiseur, Double		•			-	-	-	1	1	-	-	2599632
	Economizer, Triple/Quad Économiseur, Triple/Quadruple		•			-	-	-	-	-	2	2	2599633
385	Plug, Exhaust Elbow (4pcs) Bouchon, Collecteur d'Échappement (4pcs)		•	•		-	-	1	2	2	3	4	2596153

N/S : not shown / non montrée

• : included in this model / inclus dans ce modèle

#		Condair Model	CS/INX	MT	GS 50	GS 100	GS 150	GS 200	GS 300	GS 450	GS 600	Part #
505	Dual Fill Valve, 10.0/0.8 LPM Double-vanne d'Alimentation 10.0/0.8 LPM		•	•	1	-	-	-	-	-	-	2584488
	Dual Fill Valve, 10.0/1.3 LPM Double-vanne d'Alimentation 10.0/1.3 LPM		•	•	-	1	-	-	-	-	-	2584489
	Dual Fill Valve, 10.0/2.5 LPM Double-vanne d'Alimentation 10.0/2.5 LPM		•	•	-	-	1	-	-	-	-	2584490
	Dual Fill Valve, 10.0/3.3 LPM Double-vanne d'Alimentation 10.0/3.3 LPM		•	•	-	-	-	1	1	-	-	2584491
	Quad Fill Valve, 2x10.0/2x3.3 LPM Vanne d'Alimentation, Quadruple 2x10.0/2x3.3 LPM		•	•	-	-	-	-	-	1	1	2587914
510	Float Chamber Assembly Chambre de Flotteur		•	•	1	1	1	1	1	1	1	2599653
515	Float Board Cable Câble, Chambre de Flotteur		•	•	1	1	1	1	1	1	1	2599652
520	Float Board, with LEDs Platine Flotteur, avec DEL		•	•	1	1	1	1	1	1	1	2584841
	Float Board, without LEDs Platine Flotteur, sans DEL		•	•	1	1	1	1	1	1	1	2584842
530	Drain Assm, 60Hz, Compact Assm. de Vidange, 60Hz, Boîtier Compact		•	•	1	1	-	-	-	-	-	2599636
	Drain Assm, 60Hz, Full-size Assm. de Vidange, 60Hz, Boîtier Normal		•	•	-	-	1	1	1	1	1	2599637
535	Drain Pump, 24V, 60Hz Pompe de Vidange, 24V, 60Hz		•	•	1	1	1	1	1	1	1	2598319
540	Drain Adapter with Hardware Adapteur de Pompe de Vidange avec du Matériel		•	•	1	1	1	1	1	1	1	2599634
545	Sealing Kit, Drain Adapter Kit d'Étanchéité, Adapteur de Pompe de Vidange		•	•	1	1	1	1	1	1	1	2599635
550	Manual Drain Valve Vanne de Vidange Manuelle		•	•	1	1	1	1	1	1	1	2584714
555	Valve, Vacuum Break 0.5" NPT Vanne, Casse-vide 0.5" NPT		•	•	2	2	2	2	2	2	2	2581345
560	Overflow Chamber Chambre de Débordement		•	•	1	1	1	1	1	1	1	2599656
565	Condensate Trap, Compact Purgeur de Condensat, Boîtier Compact		•		1	1	-	-	-	-	-	2599679
	Condensate Trap, Single Purgeur de Condensat, Simple		•		-	-	1	-	-	-	-	2599680
	Condensate Trap, Double-Quad Purgeur de Condensat, Double-Quad		•		-	-	-	1	1	1	1	2599681
570	Gasket, Tank Door, Single Joint Couvercle de Reservoir, Simple		•	•	1	1	1	-	-	1	-	2599642
	Gasket Tank Door, Double Joint Couvercle de Reservoir, Double		•	•	-	-	-	1	1	1	2	2599643
575	Door, Clean-out, Single Porte du Réservoir, Simple		•	•	1	1	1	-	-	1	-	2599640
	Door, Clean-out, Double Porte du Réservoir, Double		•	•	-	-	-	1	1	1	2	2599641
580	Sacrificial Anode Kit Anode Sacrificielle		•	•	1	1	1	1	1	1	1	2575147

N/S : not shown / non montrée

• : included in this model / inclus dans ce modèle

#		Condair Model	CS/NX	MT	GS 50	GS 100	GS 150	GS 200	GS 300	GS 450	GS 600	Part #
585	Tank Replacement, Compact Changement de Réservoir, Boîtier Compact		•	•	1	1	-	-	-	-	-	2599692
	Tank Replacement, Single Changement de Réservoir, Simple		•	•	-	-	1	-	-	-	-	2599693
	Tank Replacement, Double Changement de Réservoir, Double		•	•	-	-	-	1	1	-	-	2599694
	Tank Replacement, Triple Changement de Réservoir, Triple		•	•	-	-	-	-	-	1	-	2599695
	Tank Replacement, Quad Changement de Réservoir, Quad		•	•	-	-	-	-	-	-	1	2599696
590	Drain Overflow Assembly Assm. Débordement de Vidange		•	•	1	1	1	1	1	1	1	2596155
705	Electrical Door, Compact Porte Électronique, Boîtier Compact		•	•	1	1	-	-	-	-	-	2599697
	Electrical Door, Full-Size Porte Électronique, Boîtier Normal		•	•	-	-	1	1	1	1	1	2599698
710	Plumbing Door, Compact Porte de Plomberie, Boîtier Compact		•	•	1	1	-	-	-	-	-	2599699
	Plumbing Door, Single Porte de Plomberie, Simple		•	•	-	-	1	-	-	1	-	2599700
	Plumbing Door, Double Porte de Plomberie, Double		•	•	-	-	-	1	1	-	1	2599701
715	Plumbing Door, Middle Porte de Plomberie, Milieu		•	•	-	-	-	-	-	1	1	2599702
720	Service Door, Side, Compact Porte de Service, Boîtier Compact		•	•	1	1	-	-	-	-	-	2599703
	Service Door, Side, Full-Size Porte de Service, Boîtier Normal		•	•	-	-	2	2	2	2	2	2599704
725	Support Stand, Compact Support au Sol, Boîtier Compact		•	•	1	1	-	-	-	-	-	2598540
	Support Stand, Single Support au Sol, Simple		•	•	-	-	1	-	-	-	-	2598541
	Support Stand, Double Support au Sol, Double		•	•	-	-	-	1	1	-	-	2598542
	Support Stand, Triple Support au Sol, Triple		•	•	-	-	-	-	-	1	-	2598543
	Support Stand, Quad Support au Sol, Quad		•	•	-	-	-	-	-	-	1	2598545
805	Backflow Preventer, Dual, with Vent Clapet Anti-retour avec Aération		•	•	1	1	1	1	1	1	1	2599682
810	Adapter, Exhaust, 60mm to 2", PP Adaptateur Gaz d'Échappement, 60mm - 2", PP		•		1	-	-	-	-	-	-	2599678
	Adapter, Exhaust, 80mm to 3",PP Adaptateur Gaz d'Échappement, 80mm - 3", PP		•		-	1	1	-	-	-	-	2597696
	Adapter, Exhaust, 100mm to 4",PP Adaptateur Gaz d'Échappement, 100mm - 4", PP		•		-	-	-	1	1	-	-	2597697
	Adapter, Exhaust, 150mm to 6",PP Adaptateur Gaz d'Échappement, 150mm - 6", PP		•		-	-	-	-	-	1	1	2597698
815	Steam Hose, 1.75" (44.5mm) ID, 12" (300mm) Tuyau Vapeur, 1.75" (44.5mm) ID, 12" (300mm)		•	•	1	1	1	-	-	-	-	2574132
	Steam Hose, 3" (76.2mm) ID, 12" (300mm) Tuyau Vapeur, 3" (76.2mm) ID, 12" (300mm)		•	•	-	-	-	1	1	-	-	2525659
	Steam Hose, 4" (101.6mm) ID, 12" (300mm) Tuyau Vapeur, 4" (101.6mm) ID, 12" (300mm)		•	•	-	-	-	-	-	1	1	2525660

N/S : not shown / non montrée

• : included in this model / inclus dans ce modèle

#		Condair Model	CS/NX	MT	GS 50	GS 100	GS 150	GS 200	GS 300	GS 450	GS 600	Part #
N/S	Exhaust Service Set, Compact Lot de Service d'Échappement, Boîtier Compact		•	•	1	1	-	-	-	-	-	2599647
N/S	Exhaust Service Set, Single Lot de Service d'Échappement, Simple		•	•	-	-	1	-	-	-	-	2599648
N/S	Exhaust Service Set, Double Lot de Service d'Échappement, Double		•	•	-	-	-	1	1	-	-	2599649
N/S	Exhaust Service Set, Triple Lot de Service d'Échappement, Triple		•	•	-	-	-	-	-	1	-	2599650
N/S	Exhaust Service Set, Quad Lot de Service d'Échappement, Quad		•	•	-	-	-	-	-	-	1	2599651
N/S	Hose Set, Compact Lot des Tuyaux, Boîtier Compact		•	•	1	1	-	-	-	-	-	2599689
N/S	Hose Set, Single/Double Lot des Tuyaux, Simple/Double		•	•	-	-	1	1	1	-	-	2599690
N/S	Hose Set, Triple/Quad Lot des Tuyaux, Triple/Quad		•	•	-	-	-	-	-	1	1	2599691
N/S	2X Gasket, Burner 2X Joint, Brûleur		•	•								2592487
N/S	Tubing, Silicon, 3/16" (4.8mm) ID, 80" (2m) Tube de Silicium, 3/16" (4.8mm) ID, 80" (2m)		•	•								2593561
N/S	Hose, Blower, 2" (50.8mm) ID, 28" (700mm) Tuyau de Soufflante, 2" (50.8mm) ID, 28" (700mm)		•	•								2593548
N/S	Tube Blue, 1/4" (6.4mm) OD, 1/8" (3.2mm) ID, 60" (1.5m) Tuyau Bleu, 1/4" (6.4mm) OD, 1/8" (3.2mm) ID, 60" (1.5m)		•	•								2592485
N/S	10X Fast Fuse, 6 AMP, 1/4 x 1-1/4" (6x30mm) 10X Fusible Rapide, 6 AMP, 1/4 x 1-1/4" (6x30mm)		•	•								2597681

N/S : not shown / non montrée

• : included in this model / inclus dans ce modèle

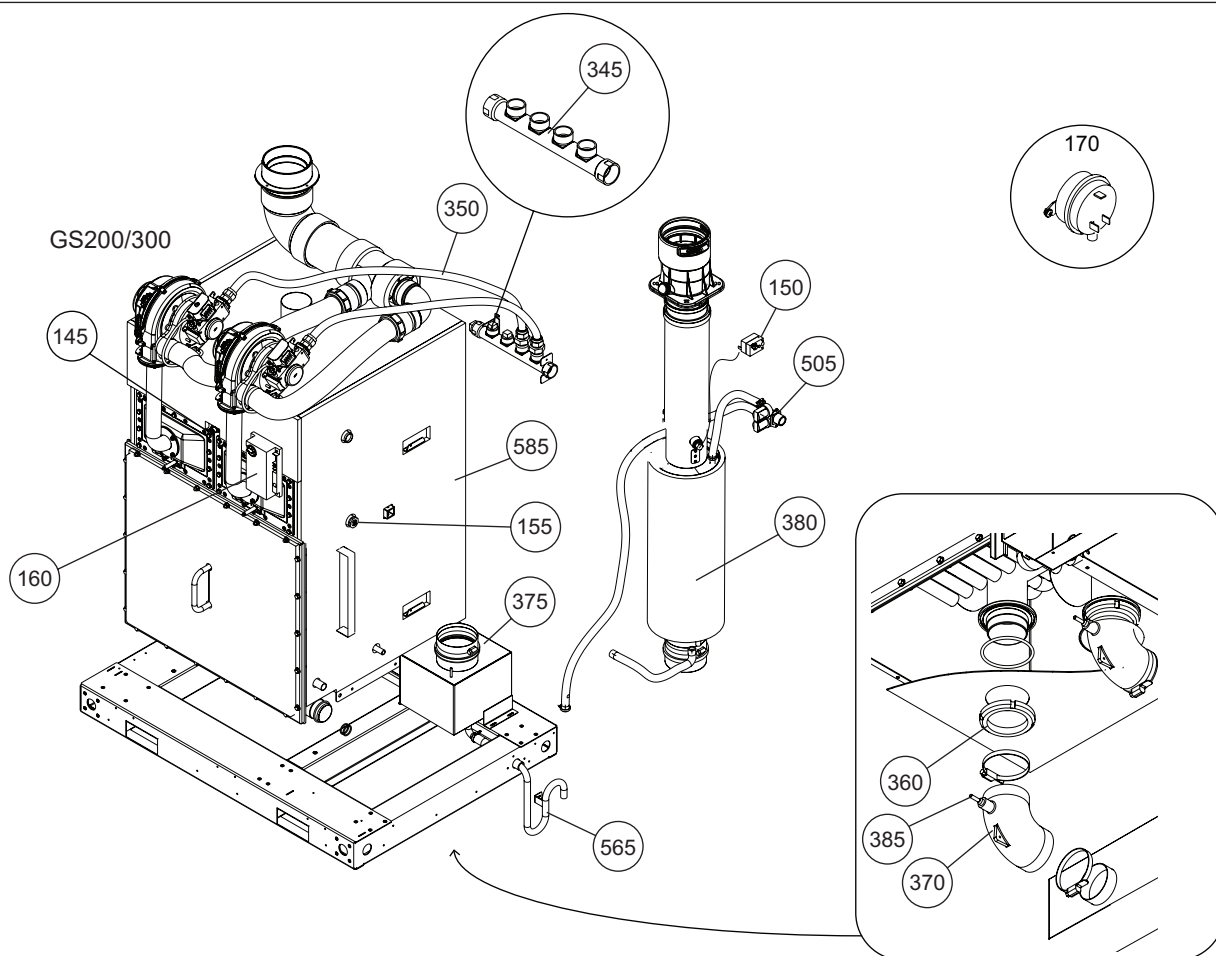
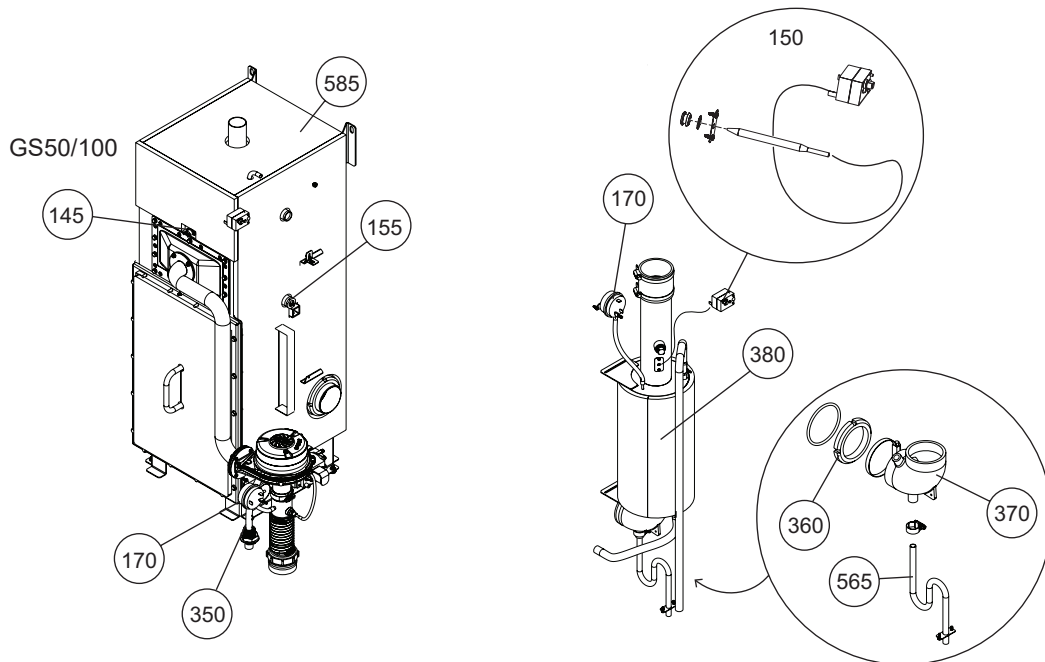


Figure 1: GS50/100,GS200/300

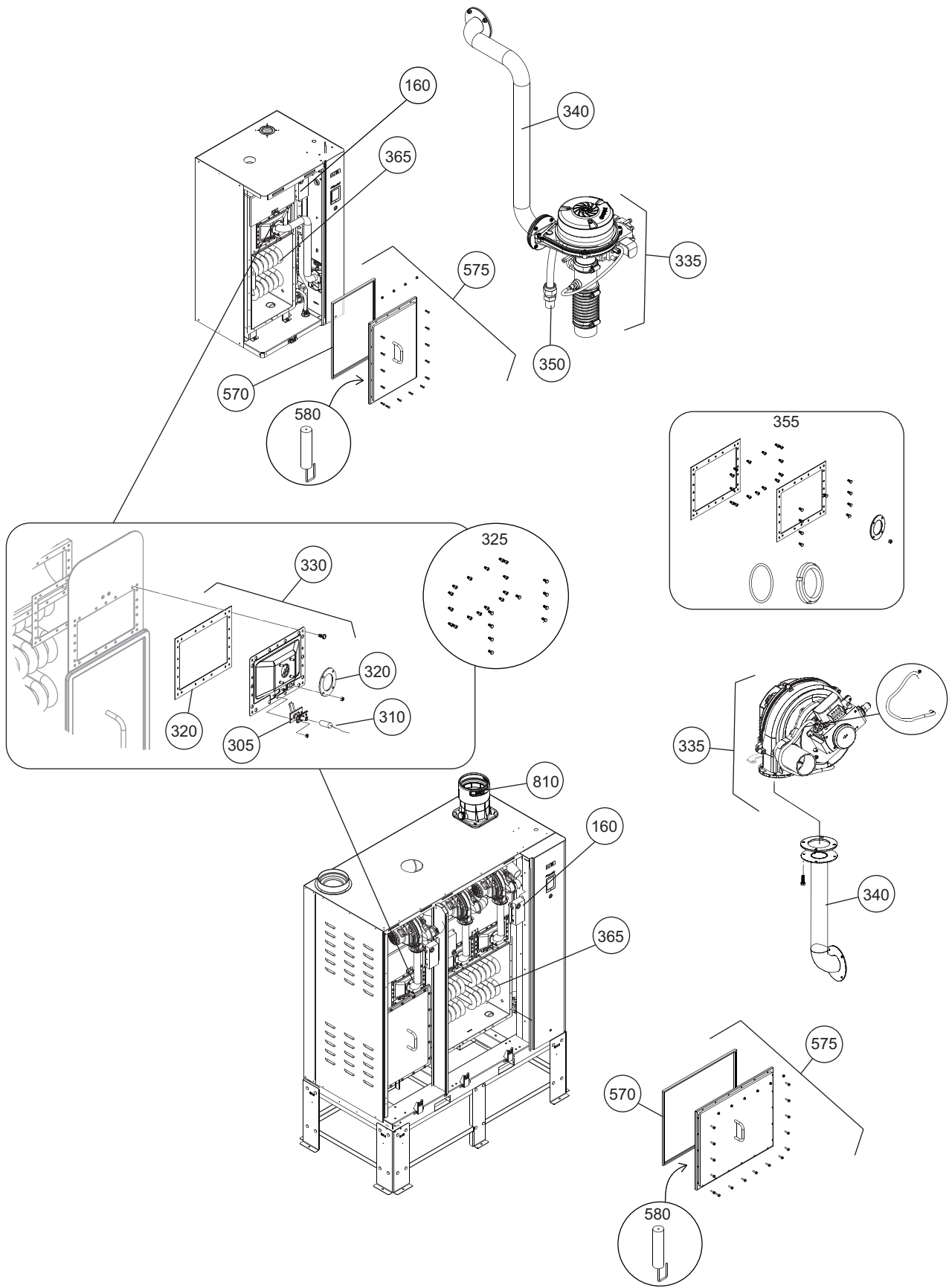


Figure 2: GS50/100,GS450

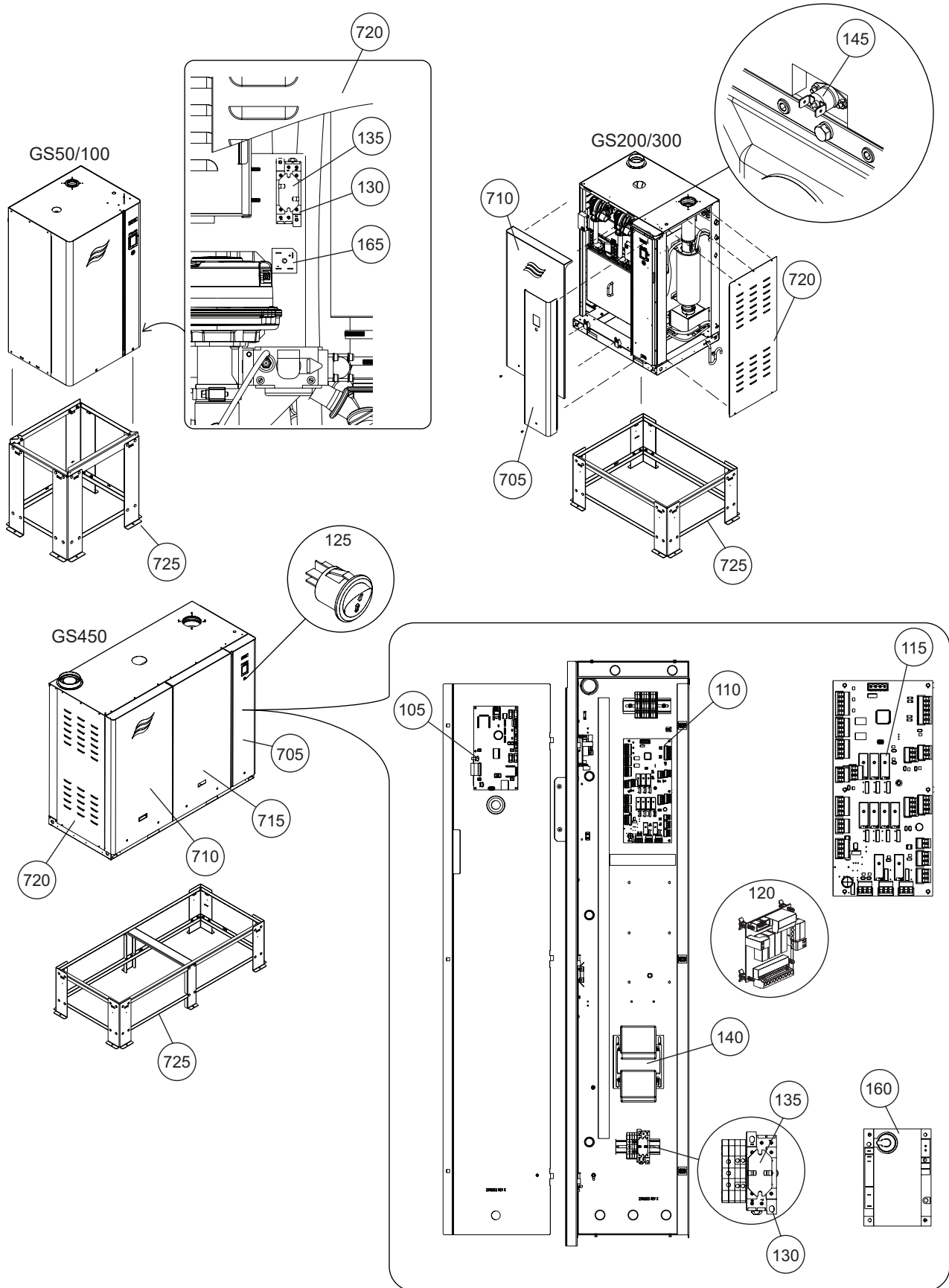


Figure 3: GS50/100, GS200/300, GS450

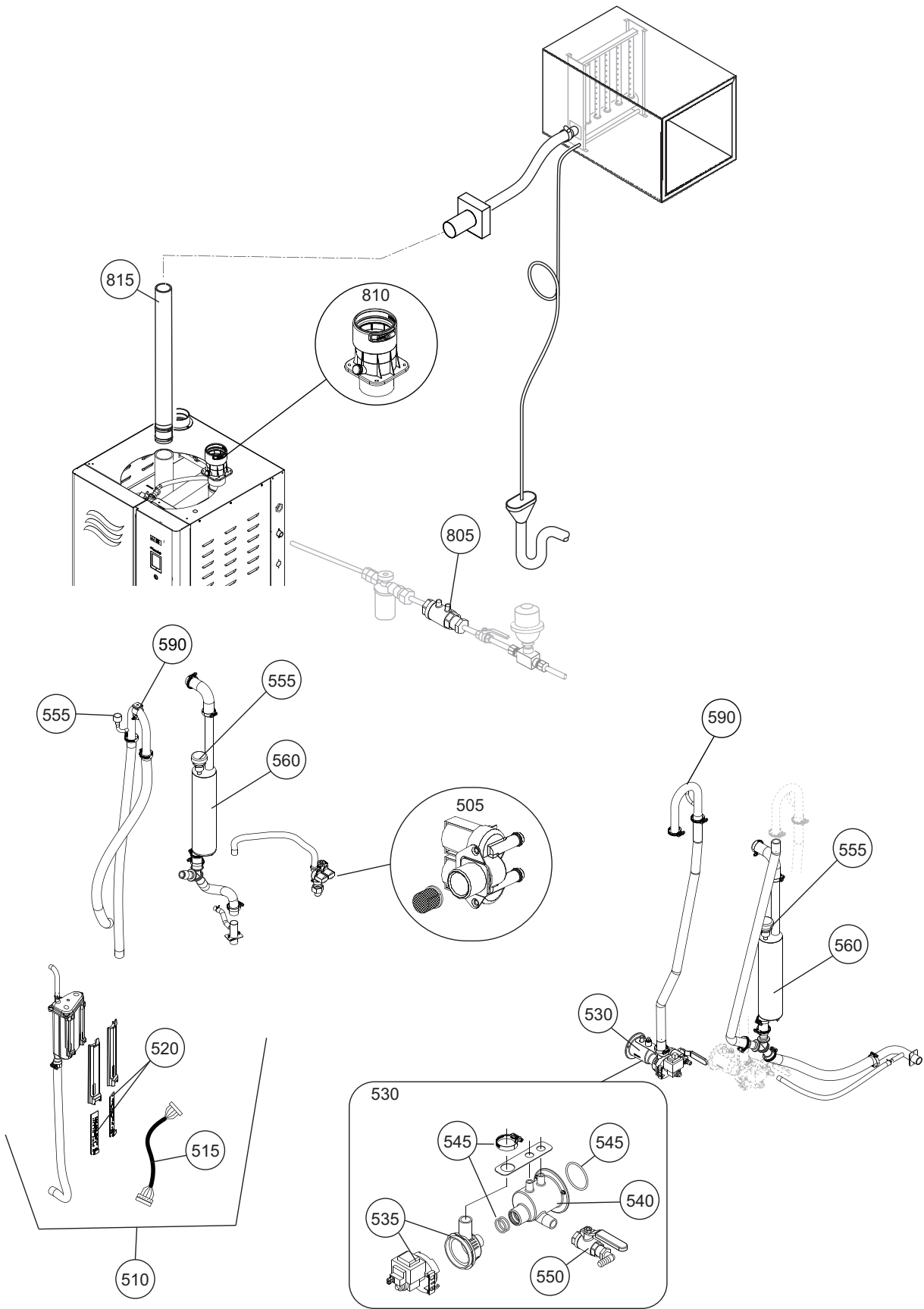


Figure 4: Plumbing and steam connections

Warranty

Condair Inc. and/or Condair Ltd. (hereinafter collectively referred to as THE COMPANY), warrant for a period of two years after installation or 30 months from manufacturer's ship date, whichever date is earlier, that THE COMPANY's manufactured and assembled products, not otherwise expressly warranted, are free from defects in material and workmanship. The heat exchanger(s) will have an additional warranty that ensures the heat exchanger will be free from defects in materials and workmanship for an additional year, for a total period of 3 years from installation or 40 months from the manufacturer's ship date, whichever is earlier. No warranty is made against corrosion, deterioration, or suitability of substituted materials used as a result of compliance with government regulations.

THE COMPANY's obligations and liabilities under this warranty are limited to furnishing replacement parts to the customer, F.O.B. THE COMPANY's factory, provided that the defective part(s) is returned freight prepaid by the customer. The replacement parts are warranted for the balance of the term of the warranty on the original humidifier or 90 days, whichever is longer.

The warranties set forth herein are in lieu of all other warranties expressed or implied by law. No liability whatsoever shall be attached to THE COMPANY until said products have been paid for in full and then said liability shall be limited to the original purchase price for the product. Any further warranty must be in writing, signed by an officer of THE COMPANY.

THE COMPANY's limited warranty on accessories, not manufactured by the COMPANY, such as controls, humidistats, pumps, etc., is limited to the warranty of the original equipment manufacturer from date of original shipment of humidifier.

THE COMPANY makes no warranty and assumes no liability unless the equipment is installed in strict accordance with a copy of the catalog and installation manual in effect at the date of purchase, and by a contractor approved by THE COMPANY to install such equipment.

THE COMPANY makes no warranty and assumes no liability whatsoever for consequential damage or damage resulting directly from misapplication, incorrect sizing or lack of proper maintenance of the equipment.

THE COMPANY makes no warranty and assumes no liability whatsoever for damage to the humidifier, supply lines, drain lines, or steam distribution systems caused by freezing.

THE COMPANY reserves the right to change the design, specifications and performance criteria of its products without notice or obligation. Condair Inc. and/or Condair Ltd. (hereinafter collectively referred to as THE COMPANY), warrant for a period of two years after installation or 30 months from manufacturer's ship date, whichever date is earlier, that THE COMPANY's manufactured and assembled products, not otherwise expressly warranted, are free from defects in material and workmanship. No warranty is made against corrosion, deterioration, or suitability of substituted materials used as a result of compliance with government regulations.

THE COMPANY's obligations and liabilities under this warranty are limited to furnishing replacement parts to the customer, F.O.B. THE COMPANY's factory, providing the defective part(s) is returned freight prepaid by the customer. Parts used for repairs are warranted for the balance of the term of the warranty on the original humidifier or 90 days, whichever is longer.

The warranties set forth herein are in lieu of all other warranties expressed or implied by law. No liability whatsoever shall be attached to THE COMPANY until said products have been paid for in full and then said liability shall be limited to the original purchase price for the product. Any further warranty must be in writing, signed by an officer of THE COMPANY.

THE COMPANY's parts or materials that are considered consumables, including but not limited to: cylinders, filters, nozzles, membranes, media, gaskets, O-rings, etc. are NOT covered by the warranty.

THE COMPANY makes no warranty and assumes no liability unless the equipment is installed in strict accordance with a copy of the catalog and installation manual in effect at the date of purchase and by a contractor approved by THE COMPANY to install such equipment.

THE COMPANY makes no warranty and assumes no liability whatsoever for consequential damage or damage resulting directly from misapplication, incorrect sizing or lack of proper maintenance of the equipment.

THE COMPANY makes no warranty and assumes no liability whatsoever for damage resulting from freezing of the humidifier, supply lines, drain lines, or quality of the water used.

THE COMPANY retains the right to change the design, specification and performance criteria of its products without notice or obligation.

THE COMPANY's limited warranty on accessories, not of the companies manufacture, such as controls, humidistats, pumps, etc. is limited to the warranty of the original equipment manufacturer from date of original shipment of humidifier.

Extended Warranty

Extended warranties are available to purchase under the conditions listed above.

CONSULTING, SALES AND SERVICE:
CONSULTATION, VENTES ET ENTRETIEN :



U.S.A.
835 Commerce Park Ave.
Ogdensburg, NY 1366-2209

CANADA
2740 Fenton Road
Ottawa, ON, K1T 3T7

Tel: 1.866.667.8321
Fax: 613.822.7964

Email: na.info@condair.com Website: www.condair.com

